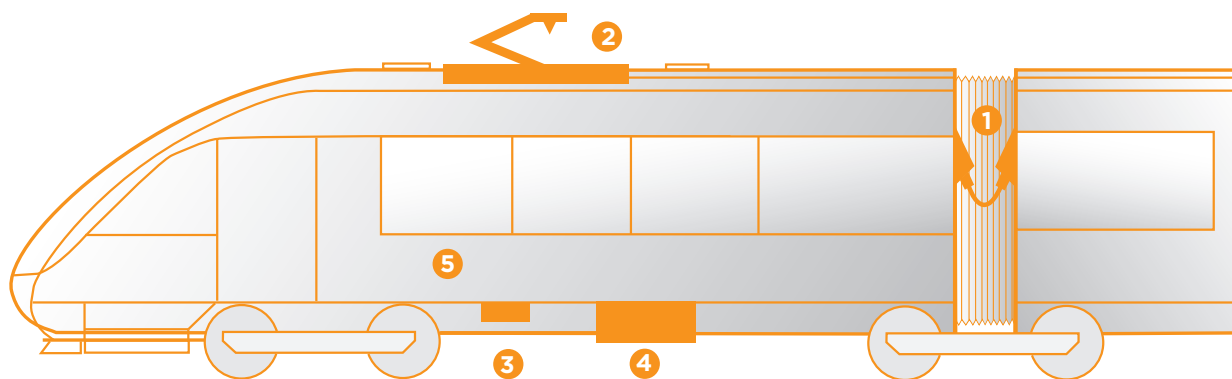


EKO SERIES

Power Connection up to 800 A

Implementation Synoptic



- 1 Outdoor dynamic applications (intervehicle)
- 2 Outdoor static applications (roof)
- 3 Outdoor static applications (underframe)
- 4 Outdoor static applications (Electrical box outlet)
- 5 Indoor static or protected applications

	EKO SERIES	Implementation					Connection Systems			Used for shielded cable
		1	2	3	4	5	Linear	Derivation	30°	
Not shielded	EKO 3-50			●	X	X	X			
	EKO 4-50			●	X	X	X			
	EKO 1-60				X	X	X			
	EKO 3-60			●	X	X	X			
Shielded	EKO 3-36S		X	X			X			X
	EKO 3-50S		X	X			X			X
	EKO 4-50S		X	X			X			X
	EKO 3-60S		X	X			X			X
Derivation	EKO 3-50 DL			●		X		X		
	EKO 3-50 DS		X	X				X		X
	EKO 3-60 DT			●		X		X		
Intervehicle	EKO A	X							X	

● Ballastless track

Contents

Implementation Synoptic	2
Linear Connection System.....	4-5
Derivation System.....	6
Intervehicle Connection System.....	6
Cross-section & Service Voltage.....	7

Linear Connection Systems - Not Shielded - 3000V

EKO 3-50.....	8
EKO 4-50.....	9
EKO 1-60.....	10
EKO 3-60.....	11

Linear Connection Systems - Shielded - 3000V

EKO 3-36 S	12
EKO 3-50 S	13
EKO 4-50 S	14
EKO 3-60 S	15

Derivation System

EKO 3-50 DL.....	16
EKO 3-50 DS.....	17
EKO 3-60 DT.....	18

Intervehicle Connection System - 3000V

EKO A.....	19
------------	----

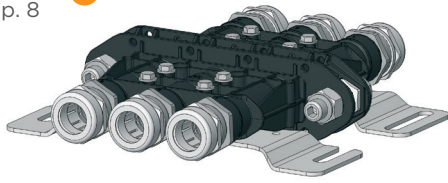
Crimping Tools	20
----------------------	----

Linear Connection Systems - Not Shielded

3000V

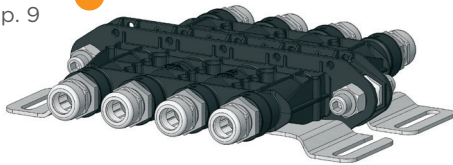
EKO 3-50

3 contacts - p. 8



EKO 4-50

4 contacts - p. 9



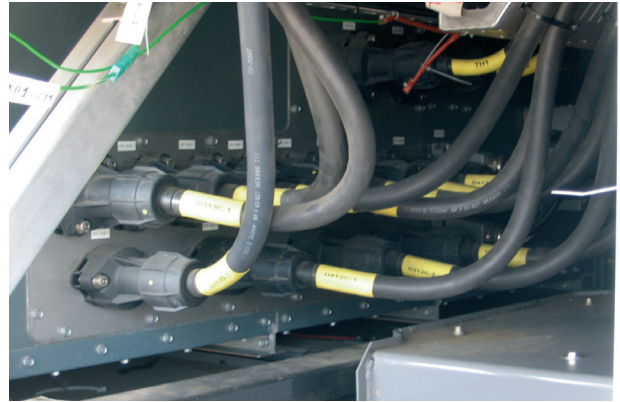
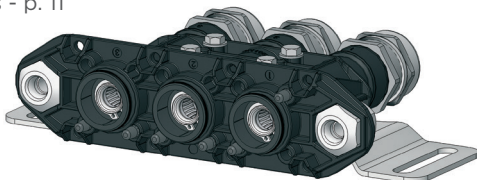
EKO 1-60

1 contact - p. 10



EKO 3-60

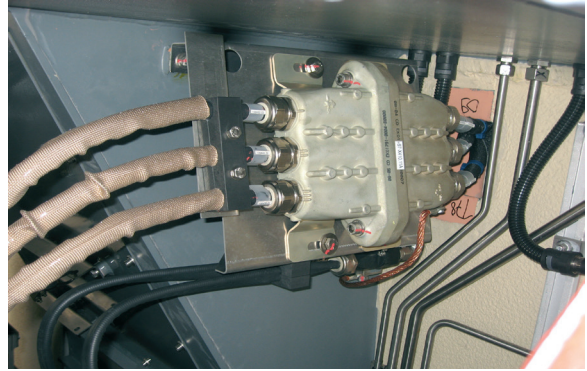
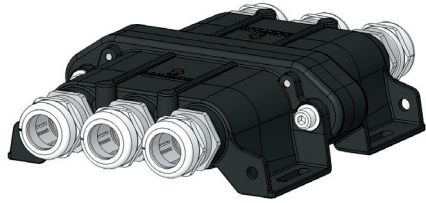
3 contacts - p. 11



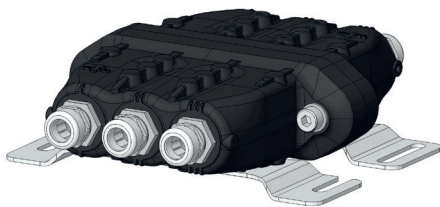
Linear Connection Systems - Shielded

3000V

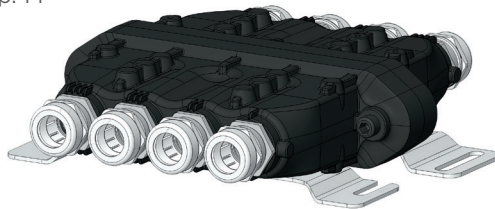
EKO 3-36S
3 contacts - p. 12



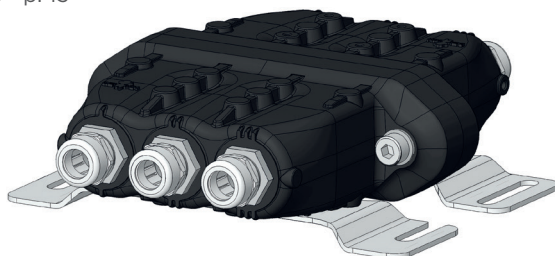
EKO 3-50S
3 contacts - p. 13



EKO 4-50S
4 contacts - p. 14



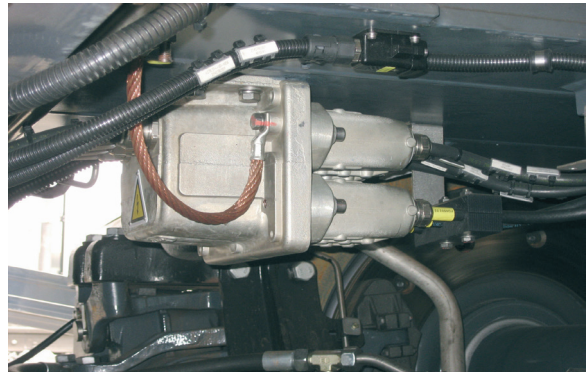
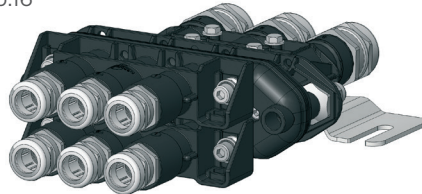
EKO 3-60S
3 contacts - p. 15



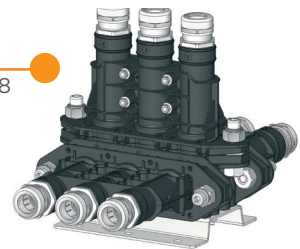
Derivation System

Specially for power connections from inverters toward motors:
Splitting device (3 lines in, 6 lines out).

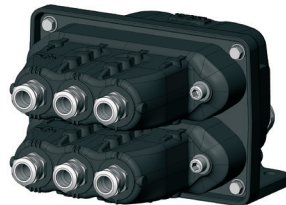
EKO 3-50 DL 1500V
3 contacts/6 contacts - p.16



EKO 3-60 DT 3000V
3 contacts/6 contacts - p.18



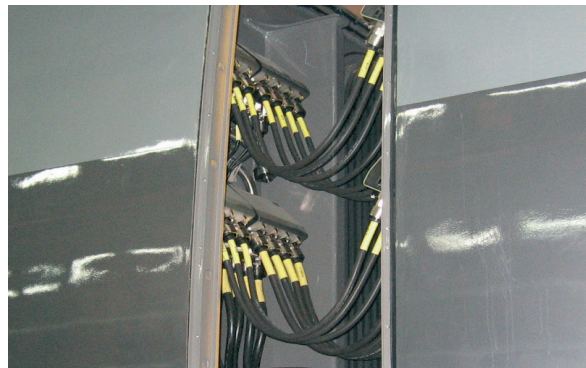
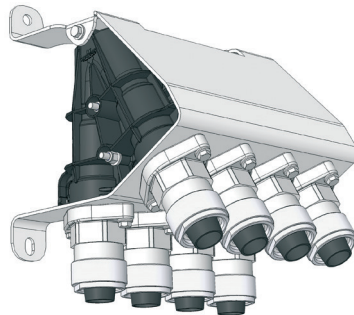
EKO 3-50 DS 1500V
3 contacts/6 contacts - p.17



INTERVEHICLE CONNECTION SYSTEM

Modular power connection using 30° angled modules assembled into a metal frame. Adapted for power lines of train sets with common bogie design.

EKO A 3000V
From 2 to 4 modules - p.19



Cross-Section & Service Voltage

LINEAR CONNECTION SYSTEMS - NOT SHIELDED

	POLE	Serv. Voltage	25 mm ²	35 mm ²	50 mm ²	70 mm ²	95 mm ²	120 mm ²	150 mm ²	185 mm ²	240 mm ²	M12 Contact
EKO 3-50	3	3000 V			X	X	X	X				
EKO 4-50	4	3000 V			X	X	X	X				
EKO 1-60	1	3000 V					X	X	X	X	X	X
EKO 3-60	3	3000 V							X	X	X	

* Receptacle side for terminal lug

LINEAR CONNECTION SYSTEMS - SHIELDED

	POLE	Serv. Voltage	25 mm ²	35 mm ²	50 mm ²	70 mm ²	95 mm ²	120 mm ²	150 mm ²	185 mm ²	240 mm ²	M12 Contact
EKO 3-36 S	3	3000 V	X	X	X							
EKO 3-50 S	3	3000 V			X	X	X	X				
EKO 4-50 S	4	3000 V			X	X	X	X				
EKO 3-60 S	3	3000 V							X	X	X	

DERIVATION SYSTEM - SHIELDED & NOT SHIELDED

		INLET (1x3 poles)						
		50 mm ²	70 mm ²	95 mm ²	120 mm ²	150 mm ²	185 mm ²	240 mm ²
OUTLET (2x3 poles)	25 mm ²	●	●	●	●			
	35 mm ²	●	●	●	●			
	50 mm ²	● ■	● ■	● ■	● ■			
	70 mm ²	■	■	■	■			
	95 mm ²	■	■	■	■			
	120 mm ²	■	■	■	■			
	150 mm ²					▲	▲	▲
	185 mm ²					▲	▲	▲
240 mm ²					▲	▲	▲	

- EKO 3-50 DL - 1500 V Not Shielded
- EKO 3-50 DS - 1500 V Shielded
- ▲ EKO 3-60 DT - 3000 V Not Shielded

Current values for temperature rise test up to 50 K are given for guidance only

Technical Characteristics

EKO 3-50

ELECTRICAL

3 contacts calibre 12 - 400 A max - 3000 V max

Cross-sections 50 to 120 mm²

Max. Cable insulation O.D. : 28 mm

Withstand voltage : 9500 V

Insulation strength : > 5000 MΩ

Contact resistance : < 0,5 mΩ

Creepage distance : 29 mm (EN 50124 OV2 PD2)

Clearance distance : 21 mm

MATERIAL

Shell : composite

Contacts : silver plated brass

CTI index : 600 V - Material group 1 (EN 50124)

Fire proof : NF F 16-102 requirement 2, UL94V0, EN 45545-2

ENVIRONMENTAL

Temperature range : -40°C +100°C

Protection index : IP67

Salt Spray : 96 hours (250 hours : optional)

MECHANICAL

Mating cycles : 500

Vibrations: 7.9 g (EN 61373:2000)

Shocks: 30 g - 30 ms (EN 61373:2000)

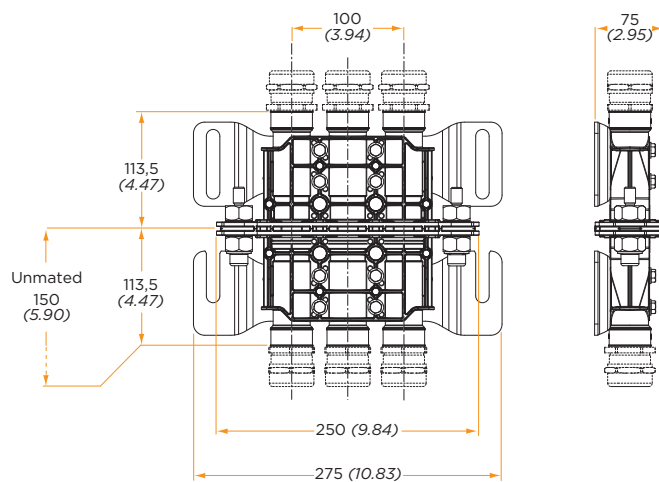
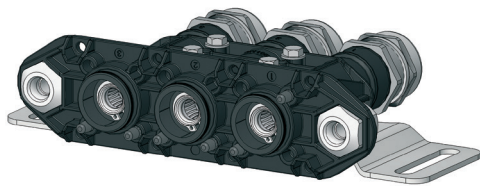
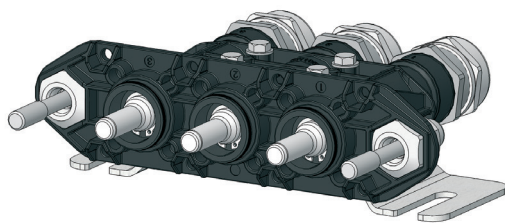
Back-thread : M32 x 1,5 - Lg 15 mm

Keying system : 20

Semi-recessed socket possible

Cable gland : optional

DIMENSIONS (mm/inch)



Technical Characteristics

EKO4-50

ELECTRICAL

4 contacts calibre 12 - 400 A max - 3000 V max

Cross-sections up to 120 mm²

Max. Cable insulation O.D. : 28 mm

Withstand voltage : > 9500 V

Insulation strength : > 5000 MΩ

Contact resistance : < 0,5 mΩ

Creepage distance : 29 mm (EN 50124 OV2 PD2)

Clearance distance : 21 mm

MATERIAL

Shell : composite

Contacts : silver plated brass

CTI index : 600 V - Material group 1 (EN 50124)

Fire proof : NF F 16-102 requirement 2, UL94V0, EN 45545-2

ENVIRONMENTAL

Temperature range : -40°C +100°C

Protection index : IP67

Salt spray : 96 hours (250 hours : optional)

MECHANICAL

Mating cycles : 500

Vibrations: 7.9 g (EN 61373:2000)

Shocks: 30 g - 30 ms (EN 61373:2000)

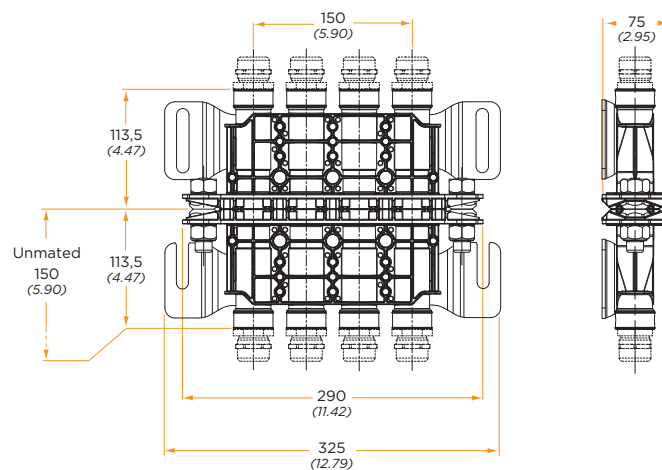
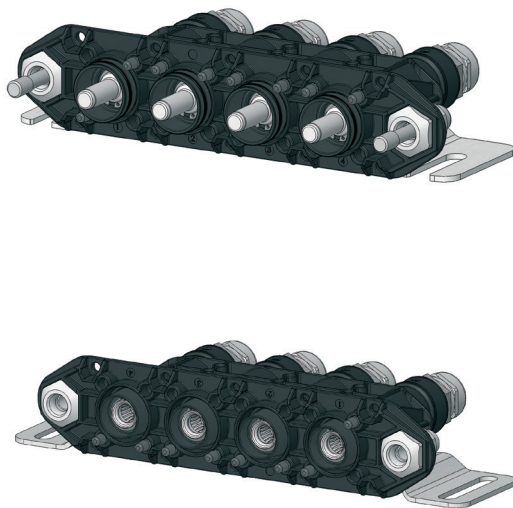
Back-thread : M32 x 1,5 - Lg 15 mm

Keying system : 20

Semi-recessed socket possible

Cable gland : optional

DIMENSIONS (mm/inch)



Technical Characteristics

EKO 1-60

ELECTRICAL

1 contact calibre 20 - 700 A max - 3000 V max
Cross-sections up to 240 mm²
Max. Cable insulation O.D. : 29 mm

Withstand voltage : > 9500 V
Insulation strength : > 5000 MΩ
Contact resistance : < 0,5 mΩ
Creepage distance : 50 mm (EN 50124 OV2 PD2)
Clearance distance : 32 mm

MATERIAL

Shell : composite
Contacts : silver plated brass
CTI index : 600 V - Material group 1 (EN 50124)
Fire proof : NF F 16-102 requirement 2, UL94V0, EN 45545-2

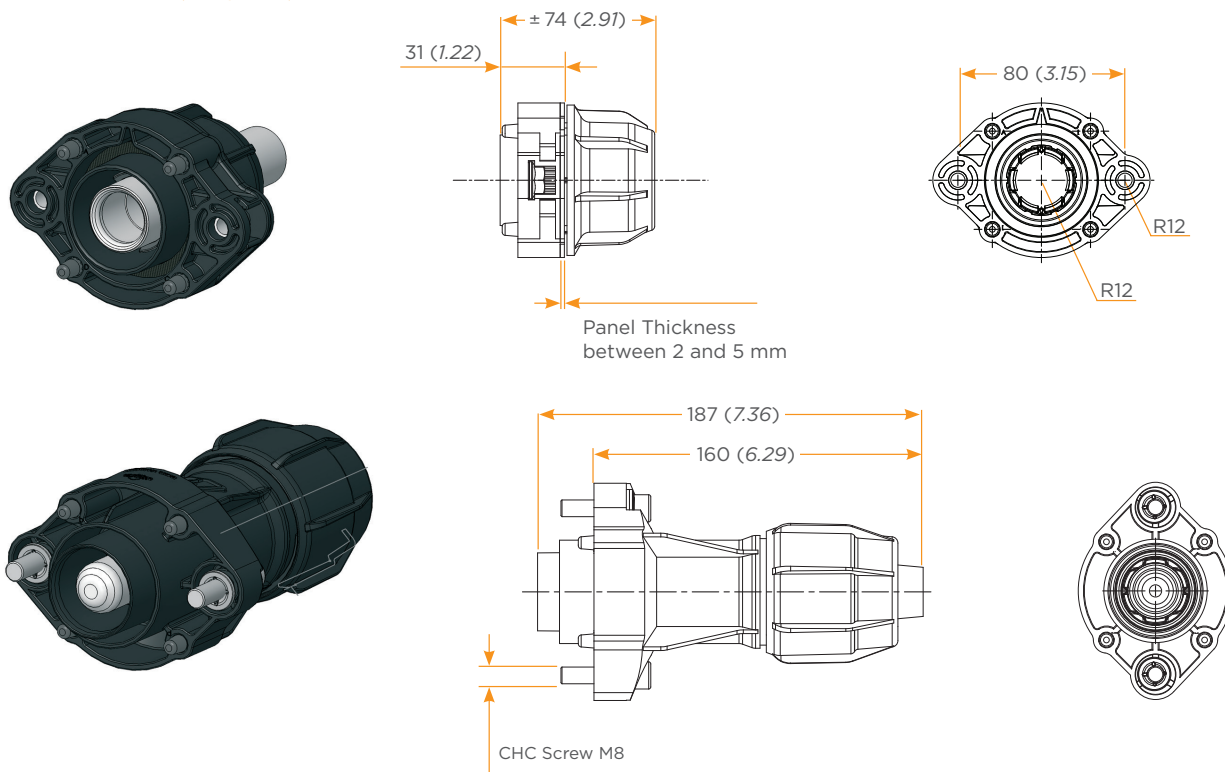
ENVIRONMENTAL

Temperature range : -40°C +100°C
Protection index : IP66
Salt spray : 250 hours

MECHANICAL

Mating cycles : 500
Vibrations: 7.9 g (EN 61373:2000)
Shocks: 30 g - 30 ms (EN 61373:2000)
Back-thread : M32 x 1,5 - Lg 15 mm
Keying system : 6 coding pins
Screwing contact : M12 x 1,75 (receptacle side)
Crimp contact (plug side)

DIMENSIONS (mm/inch)



Technical Characteristics

EKO3-60

ELECTRICAL

3 contacts calibre 20 - 800 A max - 3000 V max

Cross-sections up to 240 mm²

Max. Cable insulation O.D. : 36 mm

Withstand voltage : > 9500 V

Insulation strength : > 5000 MΩ

Contact resistance : < 0,5 mΩ

Creepage distance : 29 mm (EN 50124 OV2 PD2)

Clearance distance : 18 mm

MATERIAL

Shell : composite

Contacts : silver plated brass

CTI index : 600 V - Material group 1 (EN 50124)

Fire proof : NF F 16-102 requirement 2, UL94V0, EN 45545-2

ENVIRONMENTAL

Temperature range : -40°C +100°C

Protection index : IP67

Salt spray : 96 hours (250 hours : optional)

MECHANICAL

Mating cycles : 500

Vibrations: 7.9 g (EN 61373:2000)

Shocks: 30 g - 30 ms (EN 61373:2000)

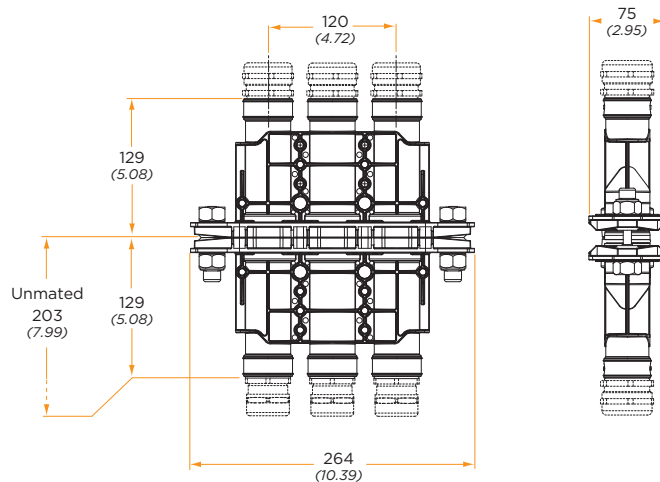
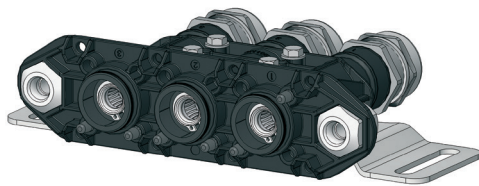
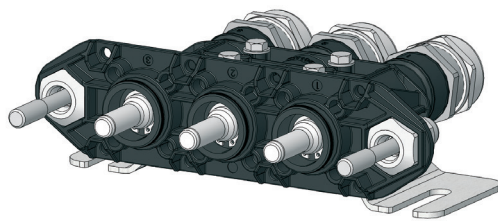
Back-thread : M40 x 1,5 - Lg 15 mm

Keying system : 20

Semi-recessed socket possible

Cable gland : optional

DIMENSIONS (mm/inch)



Technical Characteristics

EKO 3-36S

ELECTRICAL

3 contacts calibre 7 - 175 A max - 3000 V max

Cross-sections 25 to 50 mm²

Max. Cable insulation O.D. : 19 mm

Withstand voltage : 9500 V

Insulation strength : > 5000 MΩ

Contact resistance : < 0,5 mΩ

Creepage distance : 18 mm (EN 50124 OV2 PD2)

Clearance distance : 18 mm

MATERIAL

Shell : aluminium

Insert : composite

Contacts : silver plated brass

CTI index : 600 V - Material group 1 (EN 50124)

Fire proof : NF F 16-102 requirement 2, EN 45545-2

ENVIRONMENTAL

Temperature range : -40°C +100°C

Protection index : IP67

Salt Spray : 96 hours (250 hours : optional)

MECHANICAL

Mating cycles : 500

Vibrations: 7.9 g (EN 61373:2000)

Shocks: 30 g - 30 ms (EN 61373:2000)

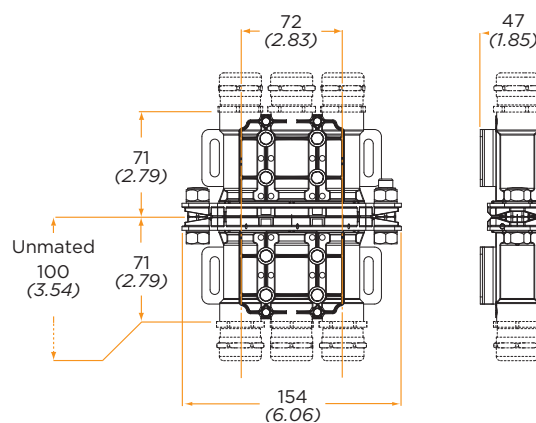
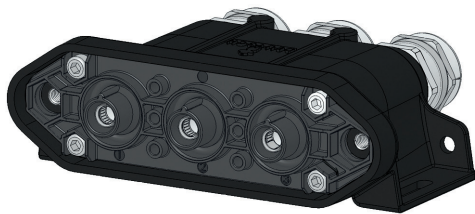
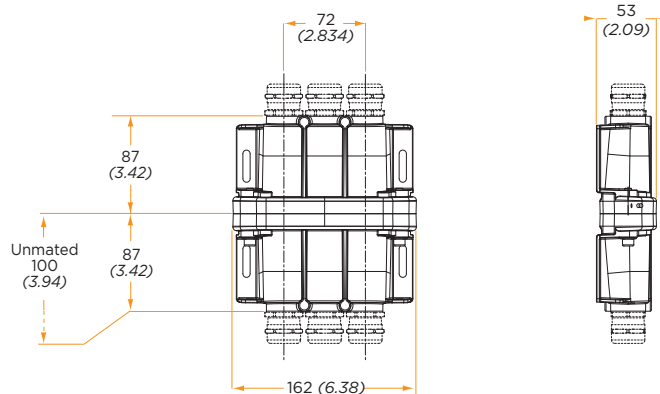
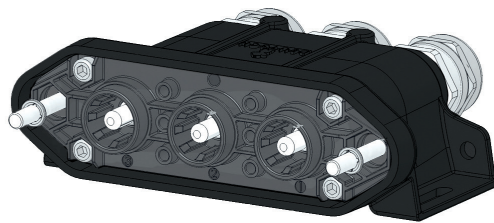
Back-thread : M20 & M25 x 1,5 - Lg 11 mm

Keying system : 20

Semi-recessed socket possible

Cable gland : optional

DIMENSIONS (mm/inch)



Technical Characteristics

EKO3-50S

ELECTRICAL

3 contacts calibre 12 - 400 A max - 3000 V max

Sections 50 - 70 - 95 - 120 mm²

Max. Cable insulation O.D. : 28 mm

Withstand voltage : > 9500 V

Insulation strength : > 5000 MΩ

Contact resistance : < 0,5 mΩ

Creepage distance : 29 mm (EN 50124 OV2 PD2)

Clearance distance : 21 mm

Shielding : according to VG 95373

MATERIAL

Shell : aluminium

Insert : composite

Contacts : silver plated brass

CTI index : 600 V - Material group 1 (EN 50124)

Fire proof : NF F 16-102 requirement 2, UL94V0, EN 45545-2

ENVIRONMENTAL

Temperature range : -40°C +100°C

Protection index : IP67

Salt spray : 96 hours (250 hours : optional)

MECHANICAL

Mating cycles : 500

Vibrations: 7.9 g (EN 61373:2000)

Shocks: 30 g - 30 ms (EN 61373:2000)

Back-thread : M25, M32 x 1,5 - Lg 15 mm

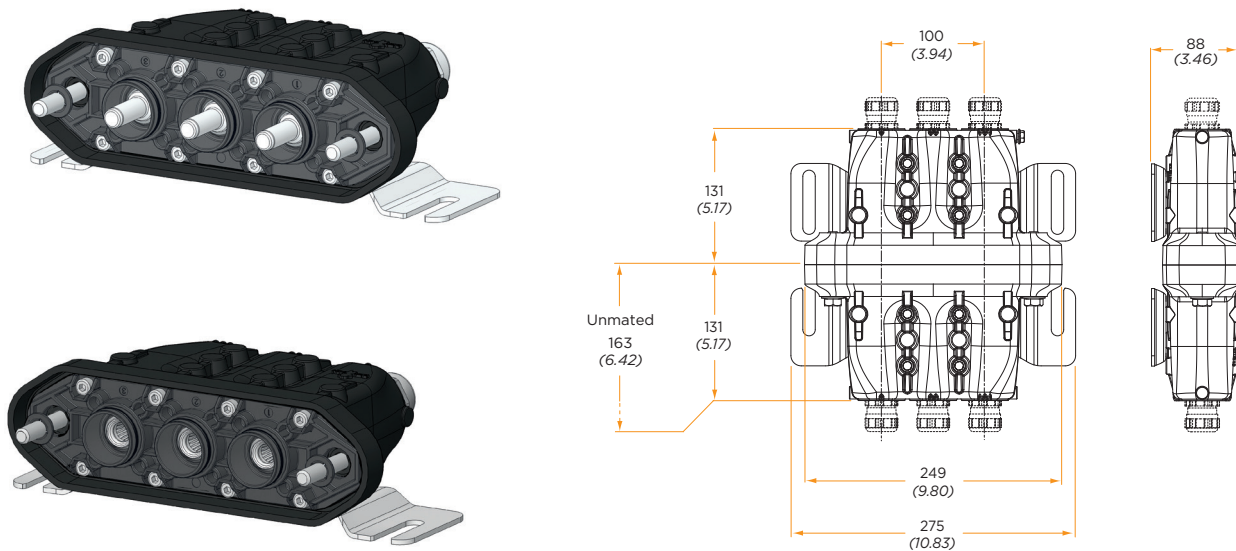
Keying system : 20

Semi-recessed socket possible

M6 earth connection on the fixed part

Cable gland : optional

DIMENSIONS (mm/inch)



Technical Characteristics

EKO 4-50S

ELECTRICAL

4 contacts calibre 12 - 400 A max - 3000 V max

Cross-sections up to 120 mm²

Max. Cable insulation O.D. : 28 mm

Withstand voltage : > 9500 V

Insulation strength : > 5000 MΩ

Contact resistance : < 0,5 mΩ

Creepage distance : 29 mm (EN 50124 OV2 PD2)

Clearance distance : 21 mm

MATERIAL

Shell : aluminium

Insert : composite

Contacts : silver plated brass

CTI index : 600 V - Material group 1 (EN 50124)

Fire proof : NF F 16-102 requirement 2, UL94V0, EN 45545-2

ENVIRONMENTAL

Temperature range : -40°C +100°C

Protection index : IP67

Salt spray : 96 hours (250 hours : optional)

MECHANICAL

Mating cycles : 500

Vibrations: 7.9 g (EN 61373:2000)

Shocks: 30 g - 30 ms (EN 61373:2000)

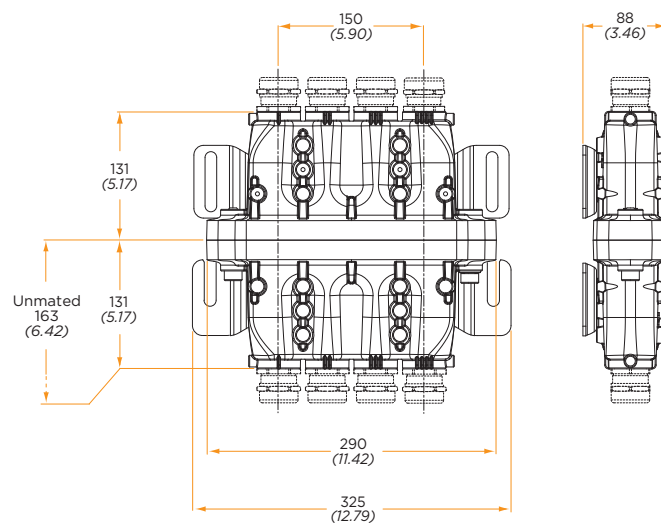
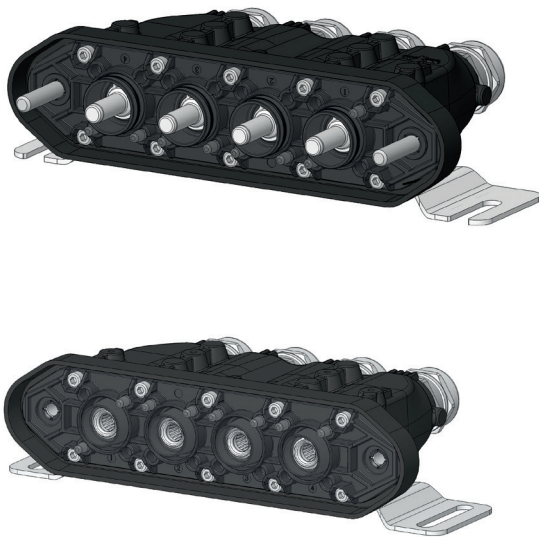
Back-thread : M32 x 1,5 - Lg 15 mm

Keying system : 20

Semi-recessed socket possible

Cable gland : optional

DIMENSIONS (mm/inch)



Technical Characteristics

EKO3-60S

ELECTRICAL

3 contacts calibre 20 - 800 A max - 3000 V max

Cross-sections up to 240 mm²

Max. Cable insulation O.D. : 36 mm

Withstand voltage : > 9500 V

Insulation strength : > 5000 MΩ

Contact resistance : < 0,5 mΩ

Creepage distance : 29 mm (EN 50124 OV2 PD2)

Clearance distance : 18 mm

MATERIAL

Shell : aluminium

Insert : composite

Contacts : silver plated brass

CTI index : 600 V - Material group 1 (EN 50124)

Fire proof : NF F 16-102 requirement 2, UL94V0, EN 45545-2

ENVIRONMENTAL

Temperature range : -40°C +100°C

Protection index : IP67

Salt spray : 96 hours (250 hours : optional)

MECHANICAL

Mating cycles : 500

Vibrations: 7.9 g (EN 61373:2000)

Shocks: 30 g - 30 ms (EN 61373:2000)

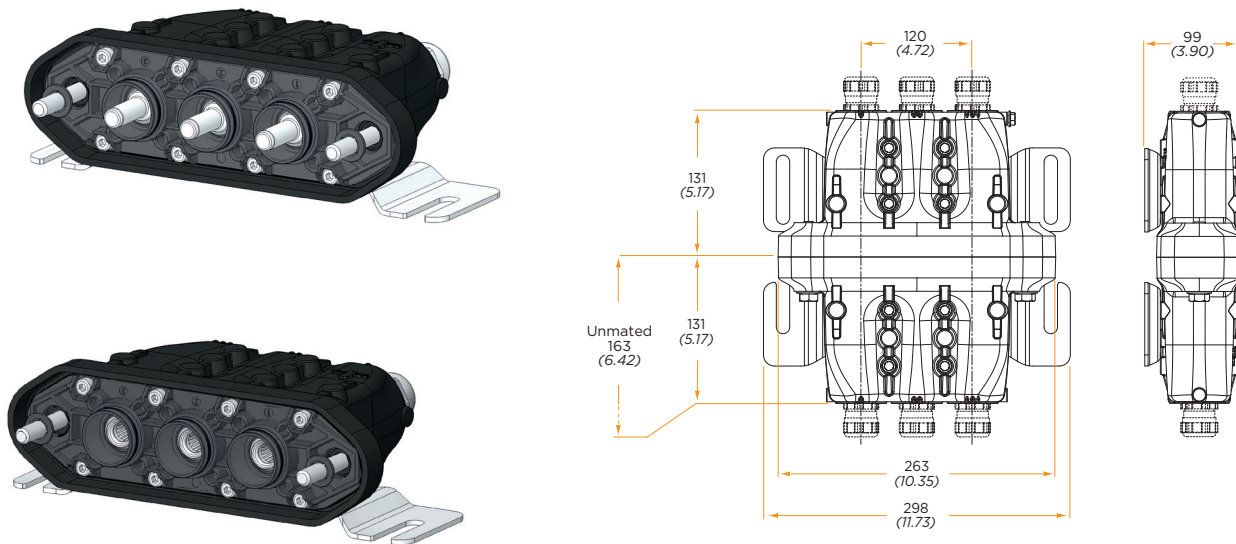
Back-thread : M25, M32, M40 x 1,5 - Lg 15 mm

Keying system : 20

Semi-recessed socket possible

Cable gland : Optional

DIMENSIONS (mm/inch)



Technical Characteristics

EKO 3-50DL

ELECTRICAL

3 contacts calibre 12 - 400 A max - 1500 V max
Receptacle side - 6 cables : 25 to 50 mm²
Mobile Plug side - 3 cables : 50 to 120 mm²
Max. Cable insulation O.D. : 28 mm

Withstand voltage : > 5750 V
Insulation strength : > 5000 MΩ
Contact resistance : < 0,5 mΩ

MATERIAL

Shell : composite
Contacts : silver plated brass
CTI index : 600 V - Material group 1 (EN 50124)
Fire proof : NF F 16-102 requirement 2, UL94V0, EN 45545-2

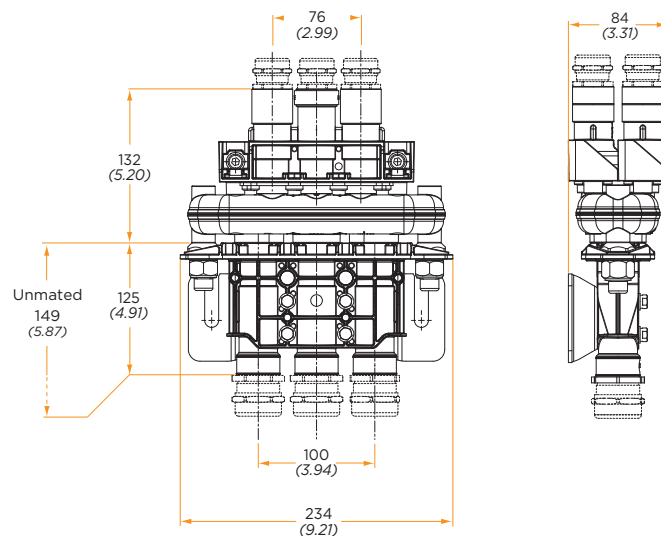
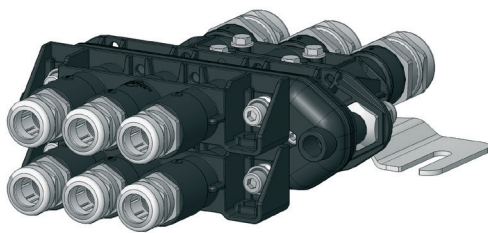
ENVIRONMENTAL

Temperature range : -40°C +100°C
Protection index : IP67
Salt spray : 96 hours (250 hours : optional)

MECHANICAL

Mating cycles : 500
Vibrations: 7.9 g (EN 61373:2000)
Shocks: 30 g - 30 ms (EN 61373:2000)
Keying system : 6
Cable gland : Optional

DIMENSIONS (mm/inch)



Technical Characteristics

EKO3-50DS

ELECTRICAL

3 contacts calibre 12 - 400 A max - 1500 V max
Receptacle side - 3 cables : 50 to 120 mm²
Mobile Plugs side - 2 x 3 cables : 50 to 120 mm²
Max. Cable insulation O.D.: 28 mm

Withstand voltage : > 5750 V
Insulation strength : > 5000 MΩ
Contact resistance : < 0,5 mΩ

MATERIAL

Shell : aluminium
Insert : composite
Contacts : silver plated brass
CTI index : 600 V - Material group 1 (EN 50124)
Fire proof : NF F 16-102 requirement 2, UL94V0, EN 45545-2

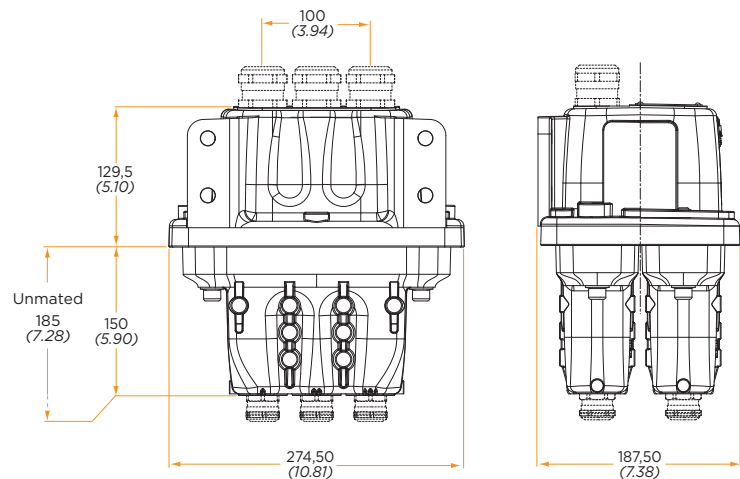
ENVIRONMENTAL

Temperature range : -40°C +100°C
Protection index : IP67
Salt spray : 96 hours (250 hours : optional)

MECHANICAL

Mating cycles : 500
Vibrations: 7.9 g (EN 61373:2000)
Shocks: 30 g - 30 ms (EN 61373:2000)
Keying system : 20
Cable-gland : optional

DIMENSIONS (mm/inch)



Technical Characteristics

EKO 3-60DT

ELECTRICAL

3 contacts calibre 20 - 800 A max - 3000 V max

Cross-sections from 150 to 240 mm²

Max. Cable insulation O.D. : 28 mm

Withstand voltage : > 9500 V

Insulation strength : > 5000 MΩ

Contact resistance : < 0,5 mΩ

MATERIAL

Shell : composite

Contacts : silver plated brass

CTI index : 600 V - Material group 1 (EN 50124)

Fire proof : NF F 16-102 requirement 2, UL94V0, EN 45545-2

ENVIRONMENTAL

Temperature range : -40°C +100°C

Protection index : IP67

Salt spray : 96 hours (250 hours : optional)

MECHANICAL

Mating cycles : 500

Vibrations: 7.9 g (EN 61373:2000)

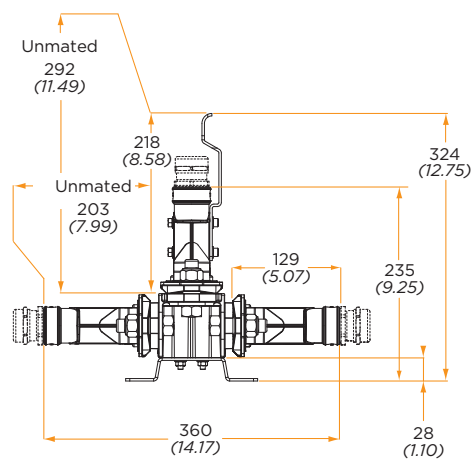
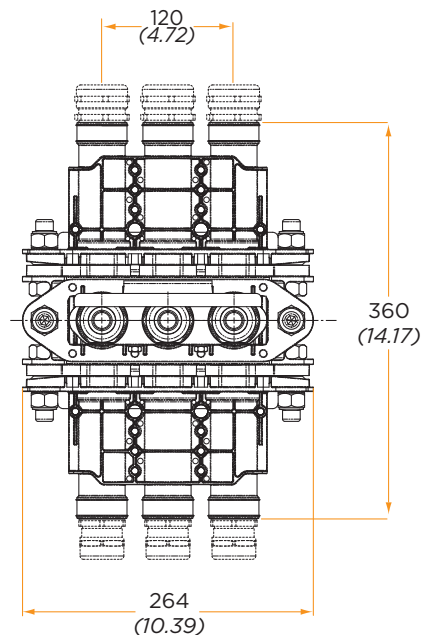
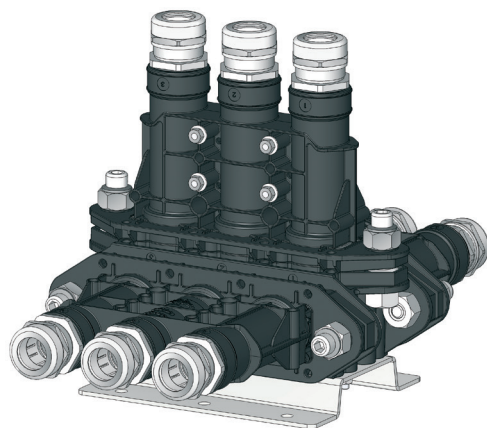
Shocks: 30 g - 30 ms (EN 61373:2000)

Back-thread : M40 x 1,5 - Lg 15 mm

Keying system : 20

Cable holding frame & Cable-gland : Optional

DIMENSIONS (mm/inch)



Technical Characteristics

EKO A

ELECTRICAL

From 2 to 4 modules with contact calibre 20 -
700 A max - 3000 V max - Sections 50 to 240 mm²
Max. Cable insulation O.D. : 30 mm

Withstand voltage : > 9500 V
Insulation strength : > 5000 MΩ
Contact resistance : < 0,15 mΩ
Creepage distance : 37 mm (EN 50124 OV2 PD2)
Clearance distance : 33 mm (EN 50124 OV2 PD2)

MATERIAL

Plug Shell : aluminium
Receptacle Frame : stainless steel
Insert : composite
Contacts : silver plated brass
CTI index : 600 V - Material group 1 (EN 50124)
Fire proof : NF F 16-102 requirement 2, EN 45545-2

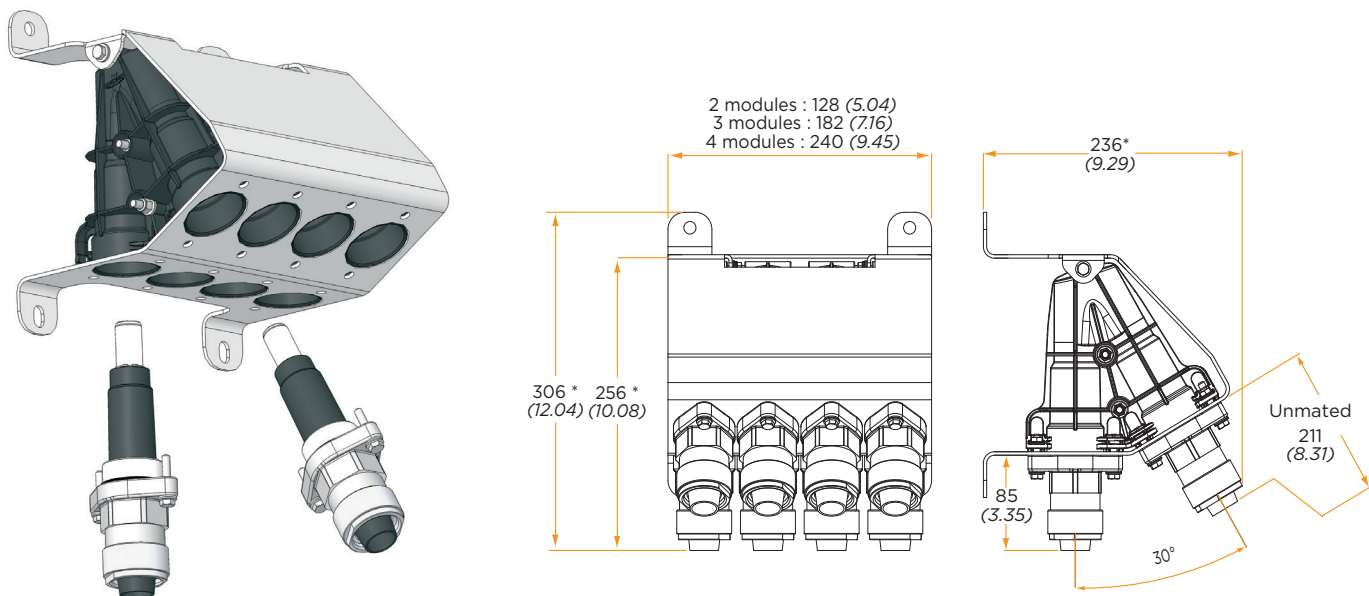
ENVIRONMENTAL

Temperature range : -40°C +100°C
Protection index : IP66
Salt spray : 96 hours (500 hours : optional)

MECHANICAL

Mating cycles : 500
Vibrations: 7.9 g (EN 61373:2000)
Shocks: 30 g - 30 ms (EN 61373:2000)
M10 earth connection on the fixed part : optional
Cable gland : included








DIMENSIONS (mm/inch)



* The receptacle frame can be adapted to different intervehicle configurations

Crimping tools

HEXAGONAL TOOLS - MECATRACTION

Cable Section	Manual Pliers 50 kN		Hydraulic Pliers 13 Tonnes		Hydraulic Pliers 20 Tonnes	
	Pliers	Die	Pliers	Die	Pliers	Die
10 mm ²	 PMM1 OUT0405-0314AS	H1 10-35F OUT0405-0199AS				
16 mm ²		H1 16-50F OUT0405-0137AS				
25 mm ²		H1 25-70F OUT0405-0138AS	 PA133K OUT0405-0367AS	TN25V13 OUT0405-0419AS	 PA133K OUT0405-0367AS	TN25V20 OUT0405-454AS
35 mm ²		H1 10-35F OUT0405-0199AS		TN35V13 OUT0405-0420AS		TN35V20 OUT0405-0455AS
50 mm ²		H1 16-50F OUT0405-0137AS	TN50V13 OUT0405-0413AS	TN50V20 OUT0405-0421AS		
70 mm ²		H1 25-70F OUT0405-0138AS	 F 4622 K OUT0405-0360AS	TN70V13 OUT0405-0422AS	 F 4622 K OUT0405-0360AS	TN70V20 OUT0405-0380AS
95 mm ²				TN95V13 OUT0405-0423AS		TN95V20 OUT0405-0424AS
120 mm ²		 SU 130K OUT0405-0441AS	TN120V13 OUT0405-0412AS	 SU 210K OUT0405-0443AS	TN120V20 OUT0405-0425AS	
150 mm ²			TN150V13 OUT0405-0445AS		TN150V20 OUT0405-0426AS	
185 mm ²				Adapter S21 (for SU 210K) OUT0405-0389AS	TN185V20 OUT0405-0397AS	
240 mm ²					TN240V20 OUT0405-0418AS	

Die for manual pliers



Die
13 TONNES



Die
20 TONNES



EXTRACTION TOOLS

Part Number	Part Numbers Tools
EKO 3-36 & 3-36S	OUTCCIEXT-G0100
EKO 3-40	
EKO 3-50 & EKO 3-50 S	Dismounting Tool (retaining ring) Pliers Facom 467PA : OUTS203261-00 Pliers + Jaw : OUT EKO KIT 203261
EKO 4-50 & EKO 4-50 S	
EKO 3-60 & EKO 3-60 S	
EKO 3-50 DS & EKO 3-60 DT	
EKO 5-50	EKO 3-40 : OUTEKOEXT-315D / EKO 3-50 : see part number above
EKO 3-50 DL	
EKO 1-60	OUTEKOEXT205332

FOR MORE INFORMATION

Follow us on Twitter for all the latest product news @TEConnectivity, and on Facebook, TEConnectivity.

TECHNICAL SUPPORT

te.com/support-center

North America.....	+1 800 522 6752
Asia Pacific	+86 0 400 820 6015
Austria	+43 1 905 601 228
Baltic Regions.....	+46 8 5072 5000
Benelux	+31 73 6246 999
Czech Republic	+420 800 701 462
France.....	+33 1 34 20 86 86
Germany	+49 6251 133 1999
Hungary	+36 809 874 04
Italy	+39 011 401 2632
Nordic.....	+46 8 5072 5000
Poland.....	+48 800 702 309
Russia.....	+7495 790 790 2
Spain/Portugal.....	+34 93 2910366
Switzerland.....	+41 52 633 66 26
United Kingdom	+44 800 267 666

te.com

TE Connectivity, TE Connectivity (logo) and Every Connection Counts are trademarks. All other logos, products and/or company names referred to herein might be trademarks of their respective owners.

While TE has made every reasonable effort to ensure the accuracy of the information in this brochure, TE does not guarantee that it is error-free, nor does TE make any other representation, warranty or guarantee that the information is accurate, correct, reliable or current. TE reserves the right to make any adjustments to the information contained herein at any time without notice. TE expressly disclaims all implied warranties regarding the information contained herein, including, but not limited to, any implied warranties of merchantability or fitness for a particular purpose. The dimensions in this catalog are for reference purposes only and are subject to change without notice. Specifications are subject to change without notice. Consult TE for the latest dimensions and design specifications.

© 2017 TE Connectivity Ltd. family of companies All Rights Reserved.

1-1773922-1 10/17 Original

CATALOG

Tyco Electronics UK Ltd.

Faraday Road,
Dorcan,
Swindon,
Wiltshire,
SN3 5HH

Tel 01793 528171
www.te.com

